

# AD-41 Nozzle Adapter Installation Instruction Sheet

## *Safety Information*

### **Equipment Shutdown**

To safely complete the procedures described in this document, the equipment must first be shut down. The levels of shut down are:

#### ***Relieving System Hydraulic Pressure***

Completely relieve system hydraulic pressure before breaking any hydraulic connection or seal. Refer to the melter-specific product manual for instructions on relieving system hydraulic pressure.

#### ***De-energizing the System***

Isolate the system (melter, hoses, guns, and optional devices) from all power sources before accessing any unprotected high-voltage wiring or connection point.

1. Turn off the equipment and all auxiliary devices connected to the equipment (system).
2. To prevent the equipment from being accidentally energized, lock and tag the disconnect switch(es) or circuit breaker(s) that provide input electrical power to the equipment and optional devices.

**NOTE:** Government regulations and industry standards dictate specific requirements for the isolation of hazardous energy sources. Refer to the appropriate regulation or standard.

#### ***Disabling the Guns***

All electrical or mechanical devices that provide an activation signal to the melter pump must be disabled before work can be performed on or around a gun that is connected to a pressurized system.

# Installation

Item	Part	Description
1	306 981	Kit, adapter, extrusion, down-apply
2	306 982	Kit, adapter, nozzle, down-swirl
3	306 983	Kit, adapter, nozzle, swirl
4	306 984	Kit, adapter, nozzle, fan spray, wide-pattern

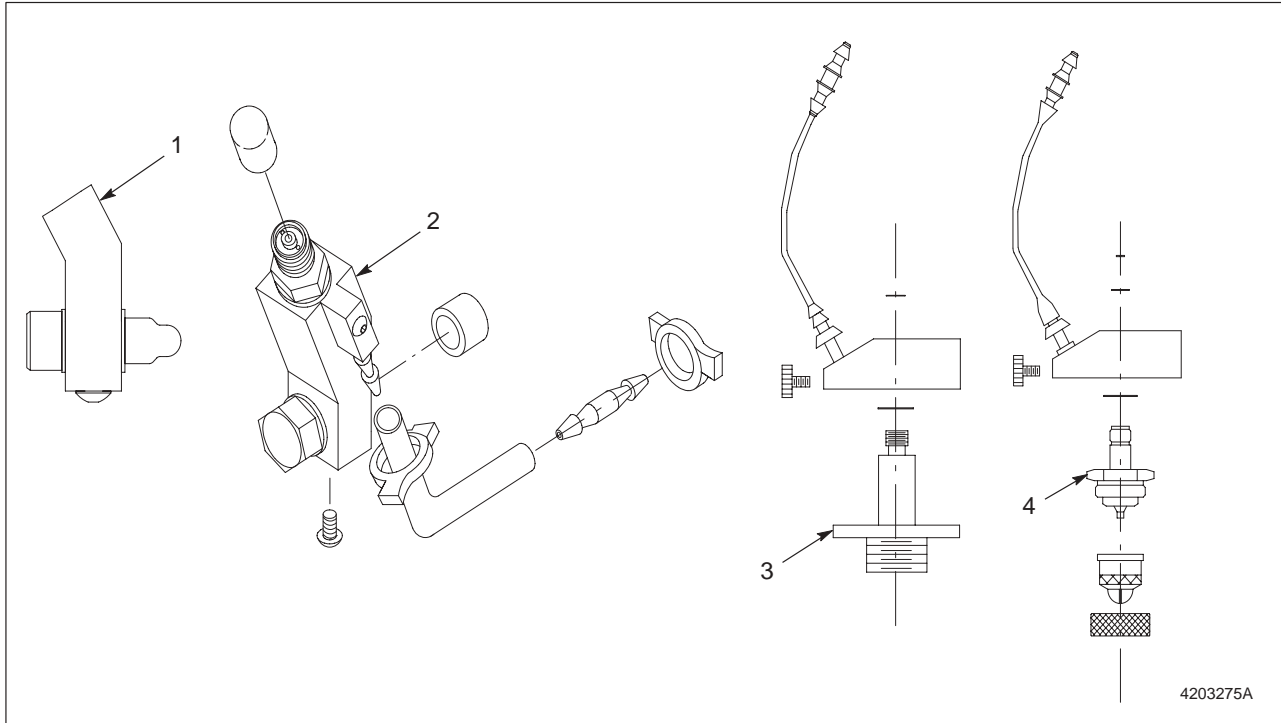
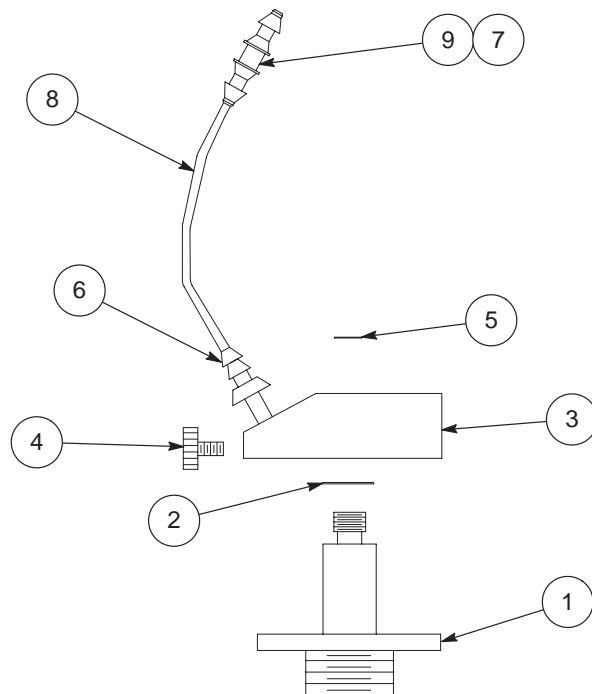


Figure 1 Adapters

Refer to Figure 2 when following the instructions. The adapters are shipped preassembled.



4210037A

Figure 2 Swirl Adapter Parts

- |                  |                 |                      |
|------------------|-----------------|----------------------|
| 1. Fluid adapter | 4. Socket screw | 7. Tube clamp        |
| 2. O-ring        | 5. O-ring       | 8. Tubing            |
| 3. Air collar    | 6. Connector    | 9. Mini-barb fitting |

*Note:* An extra tube clamp (item 7) is included to connect the tubing to the solenoid tubing.

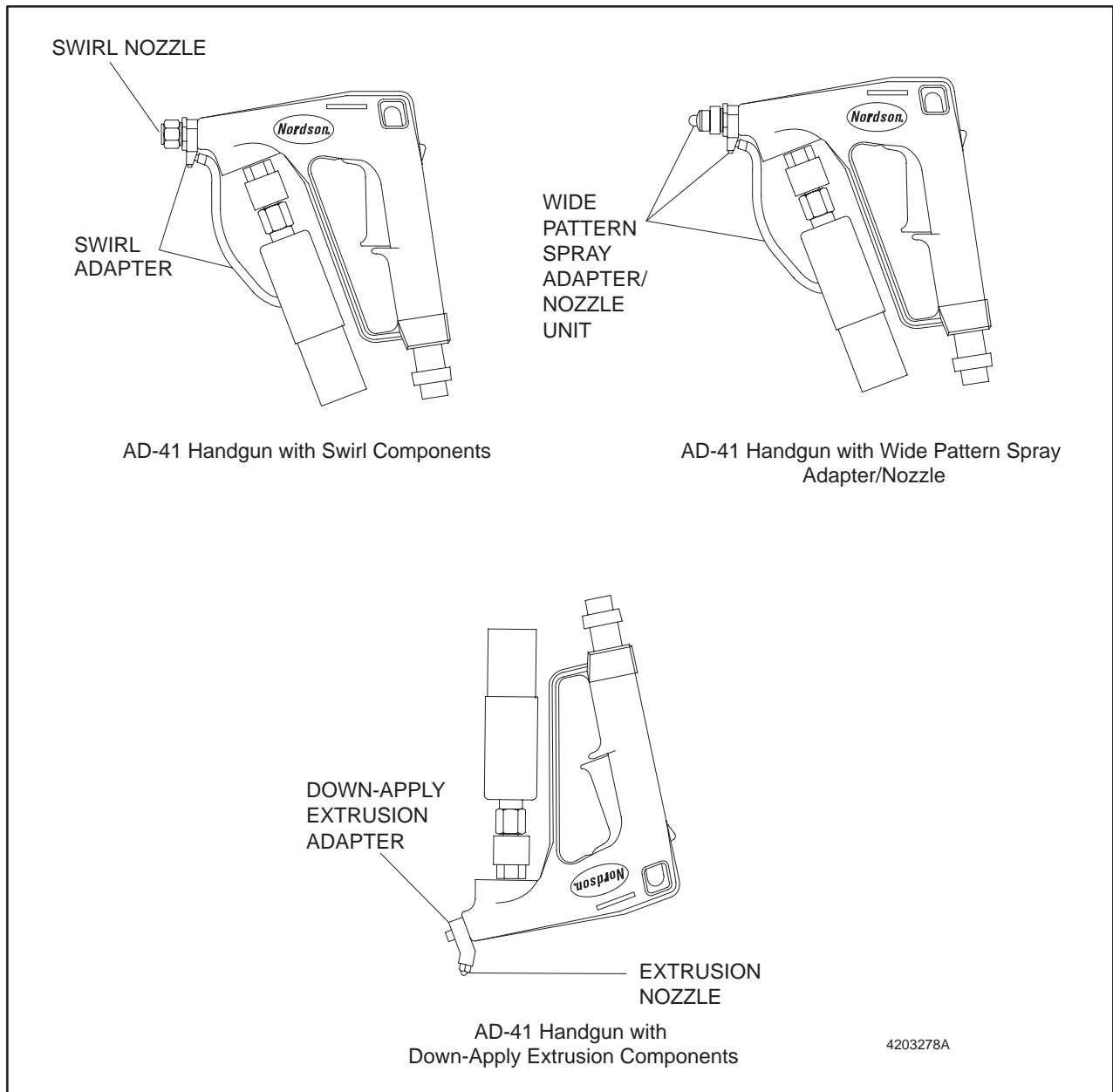
1. Tilt the gun so that the outlet is facing up. Loosely thread the fluid adapter into the outlet of the gun.

**CAUTION:** Use care when threading the adapter into the gun outlet. Failure to do so can cause the threads on the adapter or the gun to strip.

2. **(Air nozzle adapters only):** Position the air collar and hose so that the hose will not interfere with the spray operation.

**NOTE:** Be aware of the solenoid location when positioning the air collar.

3. Tighten the nozzle with a  $\frac{7}{8}$  in. (22 mm) open faced wrench.
4. **(Air nozzle adapters only):** Secure the tubing to the connecting tubing from the solenoid. Fasten the extra tube clamp around the hoses on the mini-barb fitting.



Issued 7/03

Original copyright date 2003. Nordson and the Nordson logo are registered trademarks of Nordson Corporation.